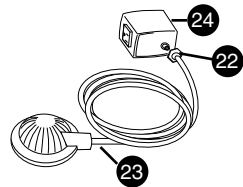
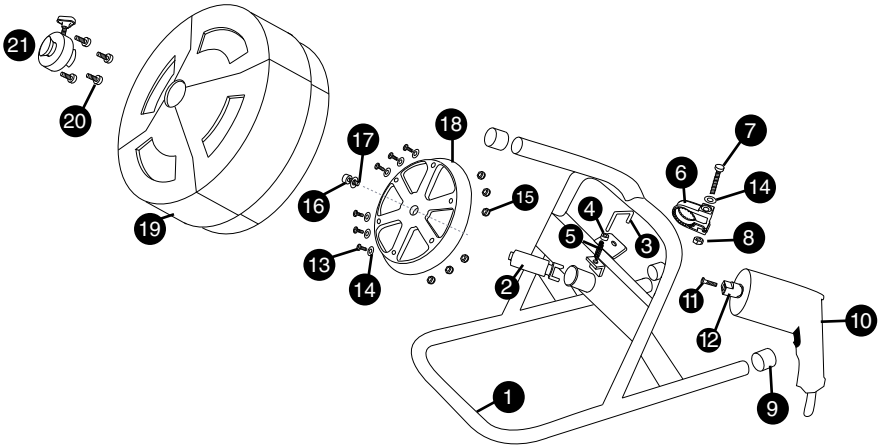


# PARTS



| REF# | PART NO.   | DESCRIPTION                 |
|------|------------|-----------------------------|
| 1    | 850-990210 | Frame Assembly              |
| 2    | 401-990273 | Drum Drive                  |
| 3    | 250-250005 | Drum Release Pin            |
| 4    | 401-990025 | Drum Release Pin - Collar   |
| 5    | 650-990440 | Drum Release Pin - Spring   |
| 6    | 401-725550 | Plastic Collar              |
| 7    | 350-142024 | Hex Head Bolt               |
| 8    | 350-142002 | Hex Nut                     |
| 9    | 450-043870 | End Caps (3)                |
| 10   | 401-725491 | Drill                       |
| 11   | 350-725496 | Left Hand Screw             |
| 12   | 401-990274 | Drill Drive                 |
| 13   | 350-252558 | Phillips Pan Mach Screw (6) |
| 14   | 350-313125 | Flat Washer (7)             |
| 15   | 350-142040 | Lock Nut (6)                |
| 16   | 350-375161 | Socket Head Screw (1)       |
| 17   | 350-375109 | Lock Washer (1)             |
| 18   | 750-980271 | Hub Casting                 |
| 19   | 400-990200 | Drum                        |
| 20   | 350-142004 | Large Button Head Screw (4) |
| 21   | 850-990000 | Nose Cone Assembly          |
| 22   | 401-998003 | Plastic Lock Nut            |
| 23   | 401-990446 | Air Actuated Foot Switch    |
| 24   | 401-998001 | Air Actuated Press Box      |



Cobra Products, Inc.  
1 Warner Court  
Swedesboro, New Jersey 08085 USA

Customer Service.....**856-241-7700**  
Fax Order Service.....**856-241-1699**